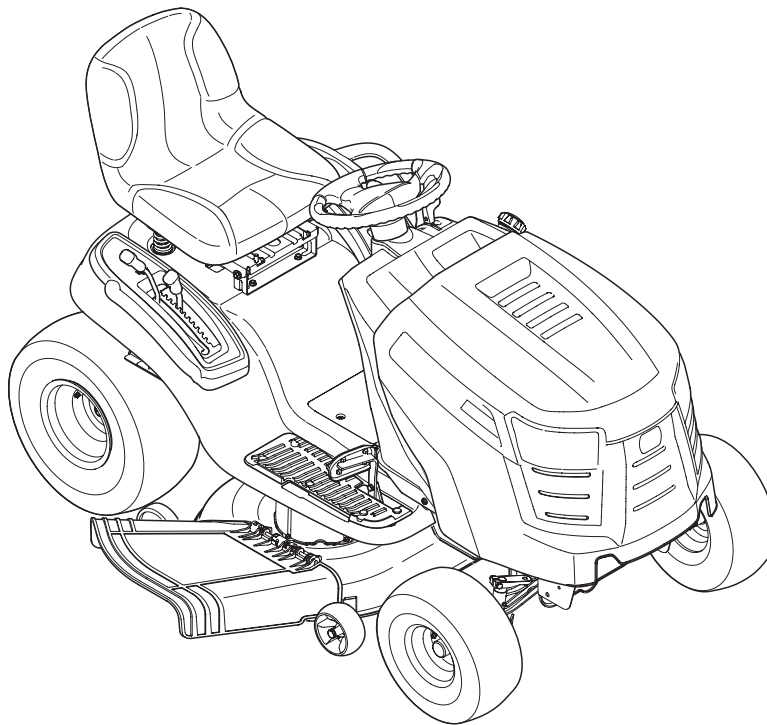


---

# *Cub Cadet*<sup>®</sup>

## ILLUSTRATED PARTS MANUAL



**CVT Lawn Tractor — LTX1040**

---

CUB CADET LLC, P.O. BOX 361131 CLEVELAND, OHIO 44136-0019

---

# To The Owner

Thank you for purchasing an Cub Cadet Lawn Tractor. It was carefully engineered to provide excellent performance when properly operated and maintained.

All information in this manual is relative to the most recent product information available at the time of printing. Please be aware that this Illustrated Part's Manual may cover a range of product specifications for various models.

Components listed and/or illustrated in this manual may not be applicable to all models. We reserve the right to change product specifications, designs and equipment without notice and without incurring obligation.

Throughout this manual, all references to *right* (RH) and *left* (LH) are observed from the operating position.

## Table of Contents

<b>Axle, Front</b> .....	<b>4</b>	<b>Deck Lift Handle/Linkage</b> .....	<b>8</b>
<b>Battery</b> .....	<b>6</b>	<b>Labels</b> .....	<b>20</b>
<b>Head Lamps</b> .....	<b>10</b>	<b>Meter, Systems Indicator</b> .....	<b>10</b>
<b>Mower Deck, 42-inch</b> .....	<b>14</b>	<b>Muffler</b> .....	<b>18</b>
<b>Pedal Controls</b> .....	<b>13</b>	<b>PTO Lever</b> .....	<b>6</b>
<b>Dash Panel</b> .....	<b>10</b>	<b>Seat</b> .....	<b>8</b>
<b>Drive System</b> .....	<b>12</b>	<b>Solenoid</b> .....	<b>6</b>
<b>Electrical Schematic</b> .....	<b>19</b>	<b>Steering</b> .....	<b>4</b>
<b>Engine Accessories</b> .....	<b>18</b>	<b>Switches, Interlock</b> .....	<b>6</b>
<b>Engine, Kohler SV590</b> .....	<b>21-31</b>	<b>Throttle Control</b> .....	<b>10</b>
<b>Fender</b> .....	<b>8</b>	<b>Transmission, Continuously Variable</b> .....	<b>18</b>
<b>Frame</b> .....	<b>6</b>	<b>Wheels, Front &amp; Rear</b> .....	<b>3</b>
<b>Fuel Tank</b> .....	<b>10</b>		
<b>Hood</b> .....	<b>10</b>		

## Record Product Information

To ease in ordering replacement parts, please locate the model plate on the equipment and record the information in the provided area to the right. You can locate the model plate by looking beneath the seat.

### MODEL NUMBER

--	--	--	--	--	--	--	--	--	--	--

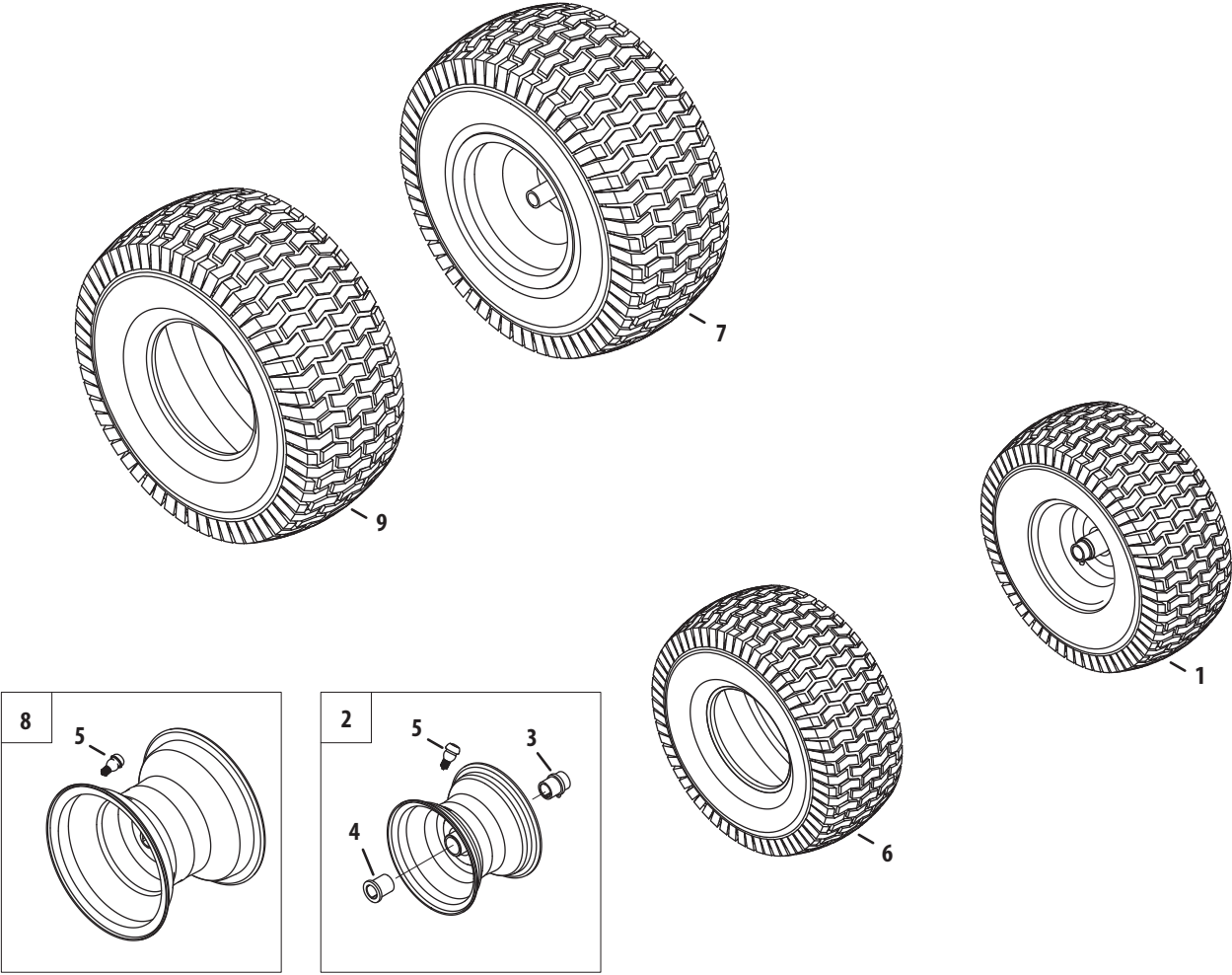
### SERIAL NUMBER

--	--	--	--	--	--	--	--	--	--	--

## Painted Parts

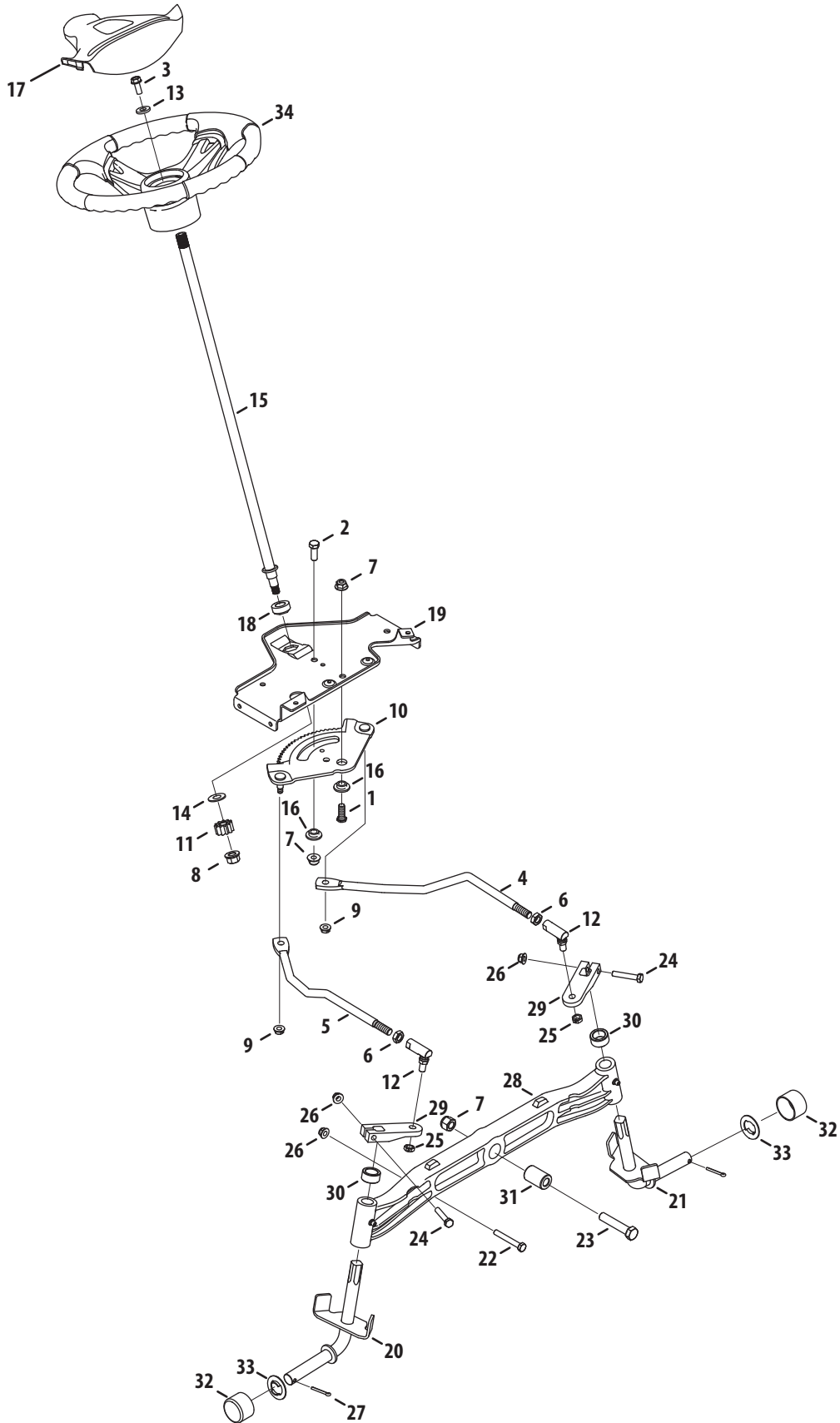
When ordering painted service parts, a four digit color suffix must be added to the part number (e.g. 783-XXXXX-0637). Please refer to the table below for current color codes:

0637	Black	0685	Blue (Cub Cadet)
4021	Yellow (Cub Cadet)	0691	Black Jack (Cub Cadet Commercial)
0499	Beige (Cub Cadet)		



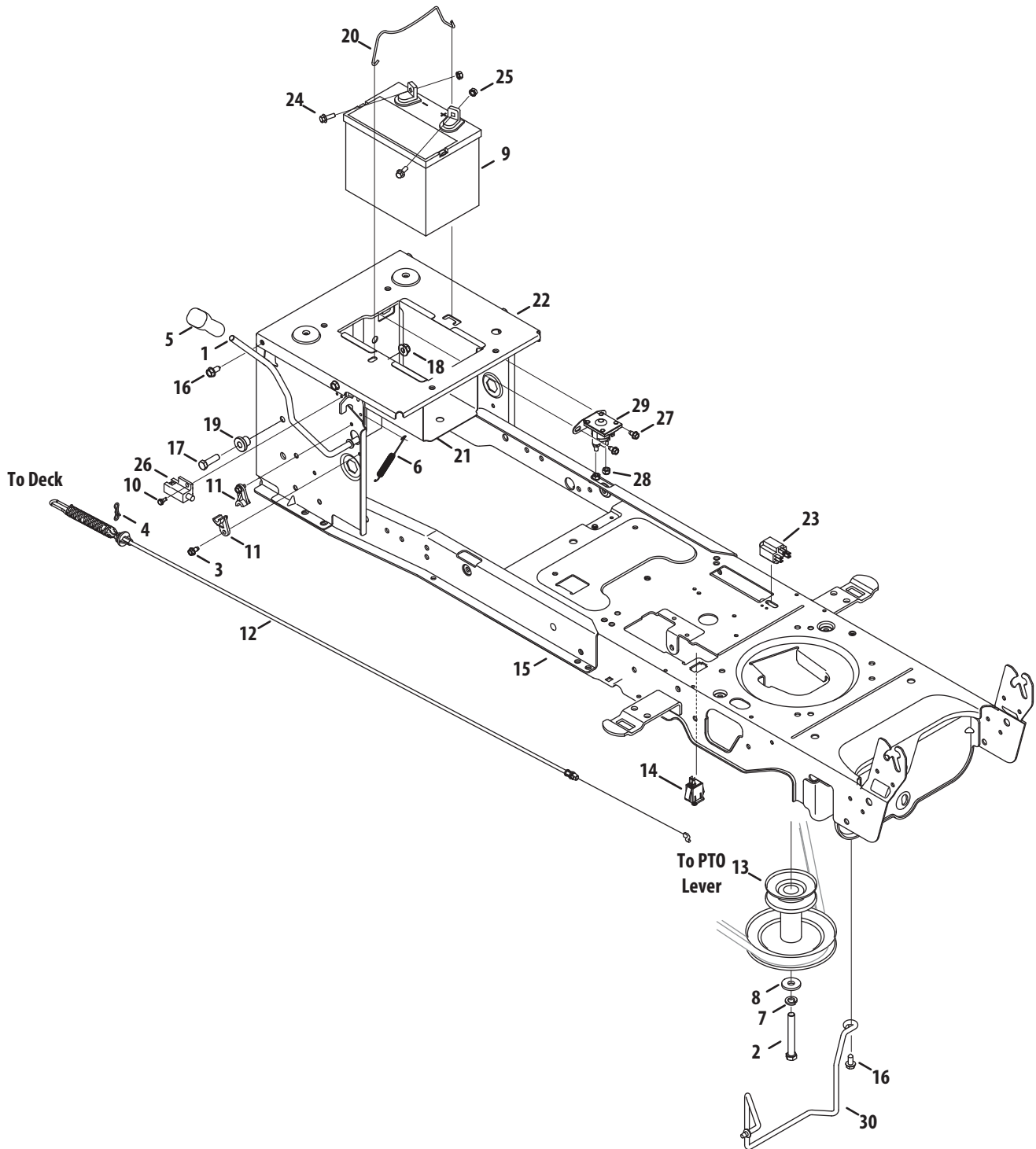
Ref.	Part Number	Description
1.	634-04406-0911	Wheel Ass'y, Complete, 15 x 6 x 6
2.	634-04405	Rim Ass'y, 6.0 x 4.5, Plastic Bearings
3.	741-0990B	Bearing, Flange, .760 ID w/ Fitting
4.	741-0516B	Bearing, Flange, .760 x 1.00 x 1.20
5.	934-0255	Valve, Tubeless Air
6.	734-1731-0901	Tire, 15 x 6 x 6 Sq Shoulder
7.	634-0104-0911	Wheel, Complete, 20 x 8 x 8
8.	634-04369	Rim Ass'y, 8.0 x 7.0 x .750 ID
9.	734-1730-0901	Tire, 20 x 8 x 8 Sq Shoulder

# Steering



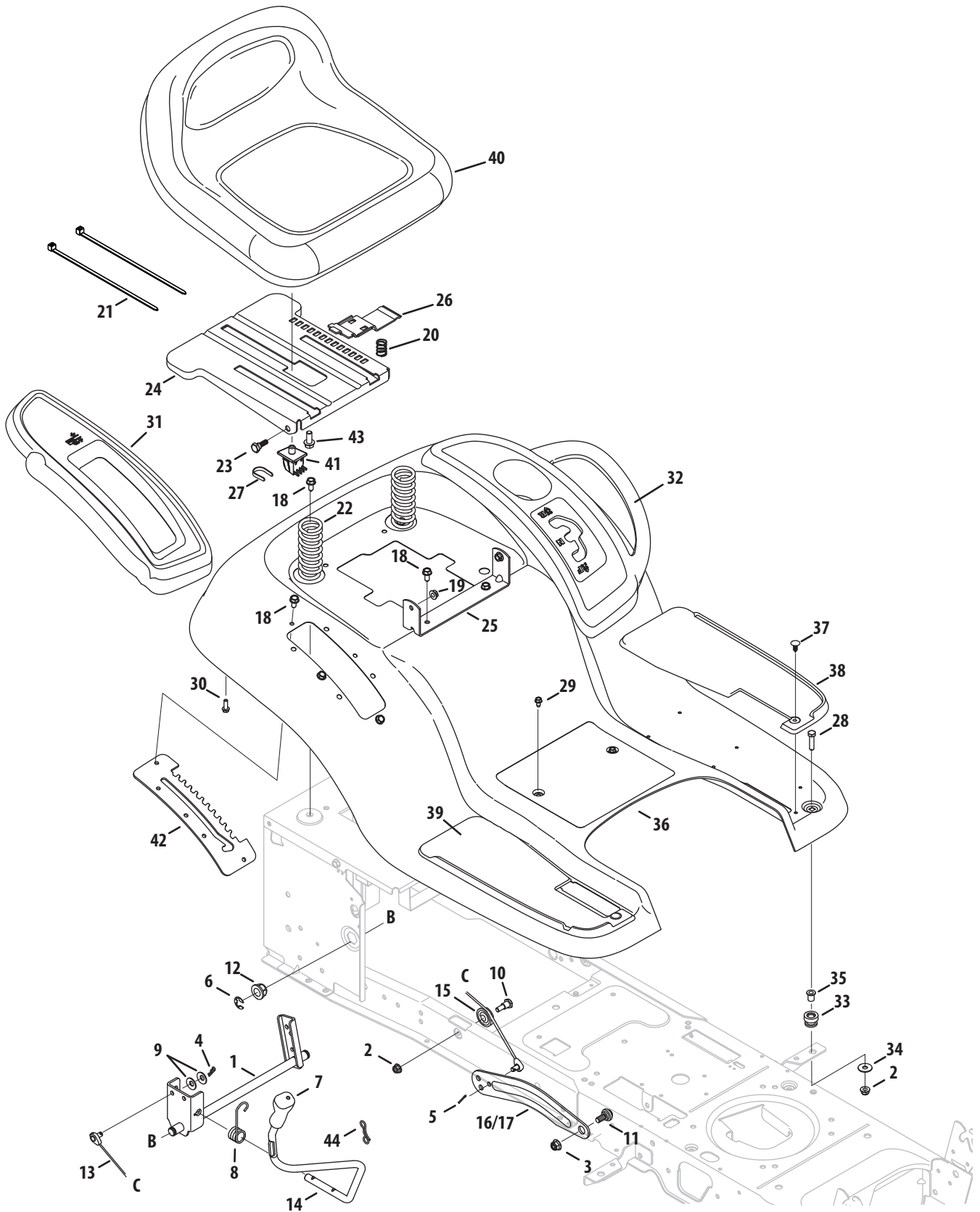
Ref.	Part Number	Description
1.	710-04095	Hex Screw, 3/8-16, 1.00, Gr5, Spec
2.	710-0514	Hex Screw, 3/8-16, 1.00, Gr5, Std
3.	710-0650	Hex Screw, 5/16-18, .875, Gr5, Lock
4.	711-04998	Link, Drag LH
5.	711-04999	Link, Drag RH
6.	912-0240	Nut, Jam, 7/16-20, Gr2
7.	712-04065	Nut, Flange Lock, 3/8-16, Grf,
8.	712-0459	Nut, Flange Lock, 7/16-20, Grb, Lock
9.	712-3004A	Nut, Flange Lock, 5/16-18, Gr5, Sd Lk
10.	717-1550F	Gear, Steering, 11/90 Ratio
11.	717-1554	Gear, Pinion, Steering
12.	923-0448A	Ball Joint, 7/16-20, Lock
13.	936-3004	Washer, Flat, .406 x .875 x .105
14.	736-3084	Washer, Flat, .51 x 1.12 x .06
15.	738-04262	Shaft, Steering, .625 OD x 25, Cub
16.	738-04363	Spacer, Shoulder, .385x 1.25 x .3025
17.	731-04532B	Cover, Steering Wheel, Cub Cadet
18.	741-04237B	Bearing, Flange, Hex 5/8 Pm
19.	783-06043	Bracket, Support, Steering
20.	638-04021	Axle Ass'y, RH .750 Dia.
21.	638-04027	Axle Ass'y, LH .750 Dia.
22.	710-0395	Hex Screw, 5/16-18, 2.25, Gr5, Std
23.	710-0859	Hex Screw, 3/8-16, 2.50, Gr5, Std
24.	710-3180	Hex Screw, 5/16-18, 1.75, Gr5, Std
25.	912-0214	Nut, Hex Lock, 3/8-24, Grb
26.	712-04063	Nut, Flange Lock, 5/16-18, Grf
27.	714-0162	Pin, Cotter, 5/32, 1.25
28.	719-04413A	Axle, Pivot Bar, Cast
29.	748-04065	Steering, Block
30.	748-04068	Spacer, .71 ID x .125 OD x .56
31.	750-05280	Spacer, .385 x 1.00 x 1.5075
32.	731-05674	Cap, Bumper
33.	736-04228A	Washer, Flat, .350 x 1.559 x .062
34.	631-04008A	Wheel, Steering, 3 Spoke, Softgrip

# Frame, Electrical and PTO



Ref.	Part Number	Description
1.	647-04151	Handle Ass'y, PTO
2.	710-04876	Hex Screw, 7/16-20, 3.50, Gr5
3.	710-0599	Screw, Self-tapping, 1/4-20, 0.50
4.	714-04040	Pin, Cotter, Bow-Tie 72
5.	720-04140	Grip, Handle, Cub
6.	732-0932	Spring, Ext, .38 Dia x 5.6
7.	936-0171	Washer, Lock, 7/16, Regular Duty
8.	736-0322	Washer, Flat, .450 x 1.250 x .164
9.	925-1707D	Battery
10.	738-04237A	Screw, Shoulder, #10-32, .500
11.	741-04119A	Bearing, PTO
12.	946-04618	Cable, Engag, Deck
13.	756-04196A	Pulley, Engine, 3.39 x 6.12 Dia.
14.	725-04807	Switch, Plunger, Snap Mount
15.	683-04469A	Frame Ass'y, Lower
16.	710-04484	Screw, Self-tapping, 5/16-18, .750,
17.	710-3005	Hex Screw, 3/8-16, 1.25, Gr5, Std
18.	712-04065	Nut, Flange Lock, 3/8-16, Grf,
19.	738-04058	Spacer, Shoulder, .38 x 1.0 x .70
20.	747-04121A	Rod, Battery
21.	783-0349	Tray, Battery
22.	783-06089	Bracket, Frame, Seat
23.	725-04232	Switch, 3-Pole
24.	710-04666	Hex Flange Screw, 1/4-20, .75, Gr5
25.	712-0271	Nut, Sems, 1/4-20
26.	725-04363	Switch, Interlock
27.	710-0653	Screw, Self-tapping, 1/4-20, 0.375,
28.	712-04064	Nut, Flange Lock, 1/4-20, Grf,
29.	725-04439	Solenoid, 12V, 100 Amp, 4 term
30.	747-05171	Rod, Keeper
—	925-04094	Wire Harness, Main

# Seat, Fender and Lift

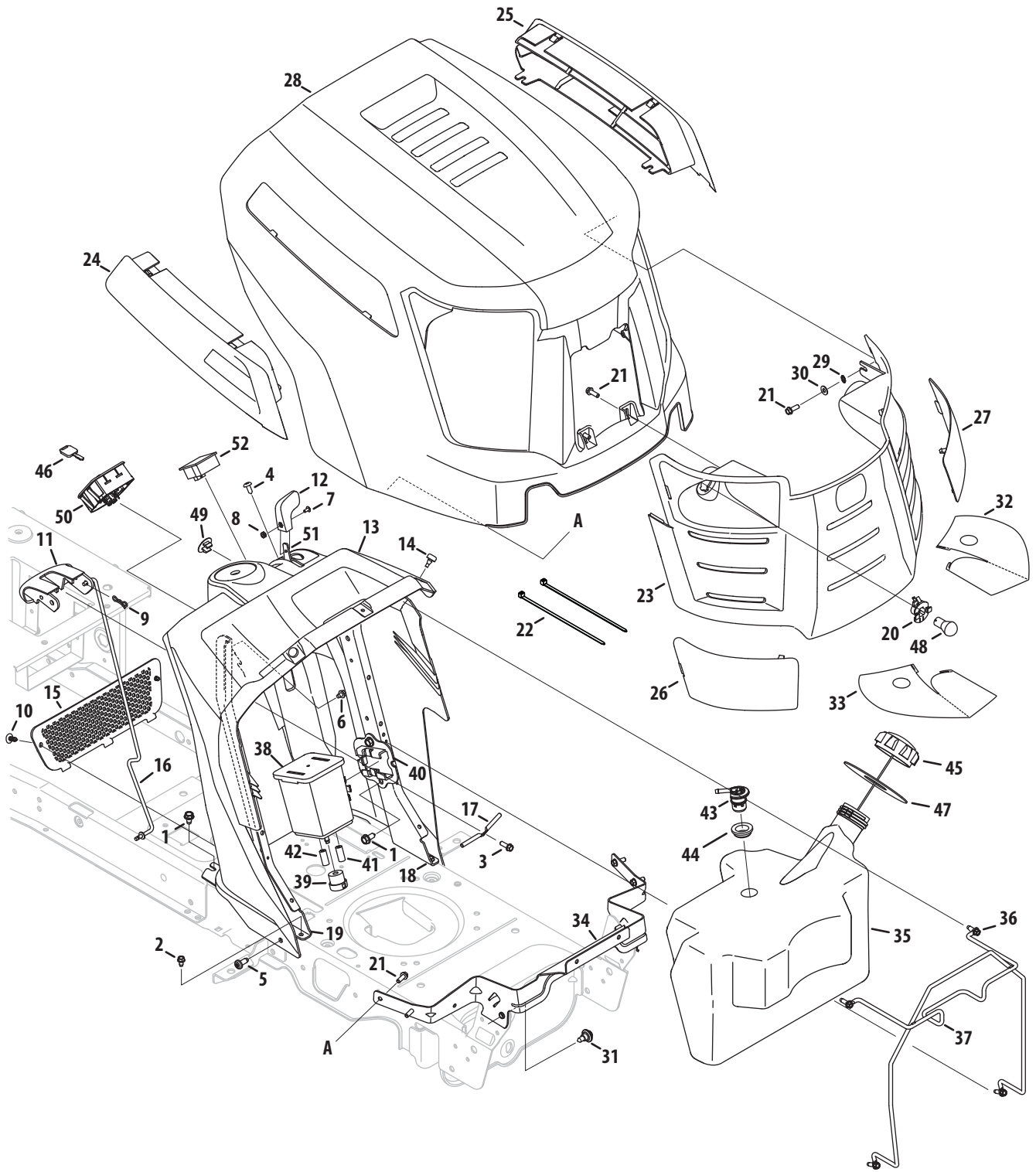




## Seat, Fender and Lift

Ref.	Part Number	Description	Ref.	Part Number	Description
1.	683-04223	Shaft Ass'y, Lift	23.	938-0296	Screw, Shoulder, .437 x .268, 5/16-18
2.	712-04063	Nut, Flange Lock, 5/16-18, Grf	24.	783-06049	Bracket, Mounting, Seat
3.	712-04065	Nut, Flange Lock, 3/8-16, Grf	25.	783-06088	Bracket, Pivot, Seat
4.	914-0104	Pin, Cotter, .072 Dia. x 1.13	26.	783-06050	Lever, Seat Adjustment
5.	714-04040	Pin, Cotter, Bow-Tie 72	27.	783-06448	Clip, Retaining, Switch
6.	716-0106A	Ring, E Type, .625 Dia. Shaft	28.	710-0528	Hex Screw, 5/16-18, 1.25, Gr5, Std
7.	720-04139	Grip, Handle, Cub, .50 ID	29.	710-0599	Screw, Self-tapping, 1/4-20, 0.500,
8.	732-0874	Spring, Torsion	30.	710-0895	Screw, HL, 1/4-15, 0.750,
9.	736-0105	Washer, Spring, .401 x .870 x .063	31.	731-06754	Cover, Fender, RH
10.	738-0138A	Screw, Shoulder, .437 x .470, 5/16-18	32.	731-05515B	Cover, Fender, LH
11.	738-04130	Bolt, Shoulder, .625, 3/8-16 (42")	33.	735-0690	Grommet, .4375 ID x .750
12.	941-0225	Bearing, Hex Flange	34.	736-3078	Washer, Flat .344 x 1.00 x .063
13.	746-0968	Cable, Lift, 16.16	35.	750-3310	Spacer, Flange, .3125 x .4375 x .625
14.	747-04962A	Handle, Lift,	36.	783-06235	Fender, Cub
15.	756-04331	Pulley, Roller, Cable	37.	726-3046	Clip, Ratchet, .250 Dia
16.	783-04494C	Arm, Lift, 42" Rt RH	38.	735-04137	Pad, Foot, LH
17.	783-04711C	Arm, Lift, 42" Rt LH	39.	735-04157	Pad, Foot, RH
18.	710-04484	Screw, Self-tapping, 5/16-18, .750,	40.	757-04129	Seat, Medium Back Cloth, Cub
19.	712-3004A	Nut, Flange Lock, 5/16-18, Gr5, Sd Lk	41.	925-05013	Switch, Seat
20.	732-04563	Spring, Comp, .68 x 1.065 x .055	42.	783-06443	Bracket, Lift, Man PTO, 6 Pos
21.	725-0157	Cable, Tie, 3/16 x .05 x 7.4	43.	710-04482	Hex Flange Screw, 3/8/16, .875, Gr5
22.	732-04561	Spring, Compr, 1.71 x 3.735 x .238	44.	714-04040	Pin, Cotter, Bow-Tie 72 (46" Decks)

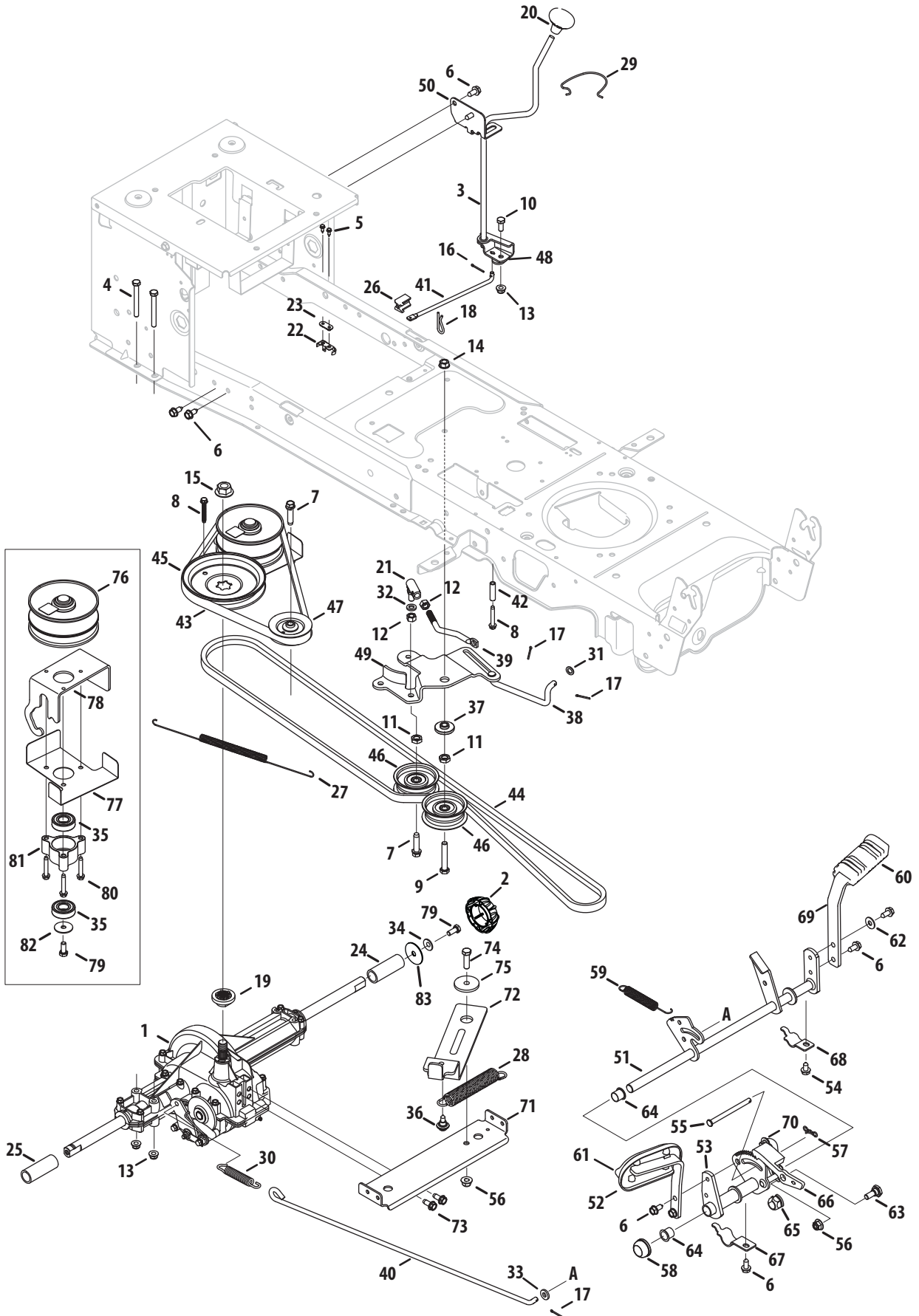
# Fuel Tank, Hood and Dash



## Fuel Tank, Hood and Dash

Ref.	Part Number	Description	Ref.	Part Number	Description
1.	710-04484	Screw, Self-tapping, 5/16-18, .750	29.	936-0222	Washer, Lock, 1/4, External
2.	710-0599	Screw, Self-tapping, 1/4-20, 0.500	30.	936-3020	Washer, Flat, .271, .630, .065
3.	710-0895	Screw, HL, 1/4-15, 0.750	31.	738-04091A	Screw, Shoulder, .43x.29, 5/16-18
4.	710-1017	Screw, Ab, 1/4-14, 0.625,	32.	777X44055	Reflector, Cub A Style, LH
5.	710-1611B	Screw, Self-tapping, 5/16-18, 0.750,	33.	777X44056	Reflector, Cub A Style, RH
6.	710-1652	Screw, Self-tapping, 1/4-20 x .625	34.	783-06114	Bracket, Pivot, Hood A-Style
7.	710-3217	Screw, Mach, #8-32, 0.375	35.	751-10879	Tank, Fuel, 3.75 Gal.
8.	712-0142	Nut, Hex, #8-32		751-10906	Tank, Fuel, 3.30 Gal. (CA)
9.	714-04040	Pin, Cotter, Bow-Tie 72	36.	710-1652	Screw, Self-tapping, 1/4-20, .625
10.	726-3046	Clip, Ratchet, .250 Dia		710-0642	Screw, Self-tapping, 1/4-20, .75 (CA)
11.	731-05447A	Lever, Dash, Cruise/Brake	37.	747-05040A	Rod, Support, Fuel Tank
12.	731-06593	Knob, Throttle	38.	951-10589	Cnstr, Carbon, 5 Gallon (CA)
13.	931-06666	Dash Panel, A-Style, Man PTO	39.	751-10590	Filter, Vent, Canister (CA)
14.	735-0271A	Bumper, .62 Dia X .3	40.	951-10610	Bracket, Adapter, Canister (CA)
15.	735-04076	Net	41.	751-10749	Hose, Fuel, Low Perm, 3/16 Wht (CA)
16.	747-05009	Rod, Control, Latch Cub	42.	751-10750-28	Hose, Fuel, Low Perm, 7/32 Yel (CA)
17.	747-1196	Rod, Lever, Bent	43.	751-10441	Valve, Rollover Grommet (CA)
18.	783-06098	Support, Dash, Plate LH	44.	735-04081	Grommet, Rubber, 23.0 ID (CA)
19.	783-06099	Support, Dash, Plate RH	45.	751-0603A	Cap, Fuel
20.	925-1649	Socket, Lamp		951-10947	Cap, Fuel (CA)
21.	710-05108	Screw, 1/4 Dia, .750	46.	925-2054A	Key, Ignition
22.	726-0154	Tie, Cable, Push Mount 7.5 Lg	47.	735-04170	Gasket, Fuel Tank
23.	931-04322	Grille Ass'y (Incl. 26, 27, 32 & 33)	48.	925-0963	Lamp, 12v
24.	931-06542	Scoop, Hood, RH A-Style	49.	731-1999	Plug, Choke
25.	931-06543	Scoop, Hood, LH A-Style	50.	925-04227B	Module Switch, Ignition
26.	931-06558	Lens, Hood, RH A-Style	51.	946-04617	Cable, Throttle/Choke, 28"
27.	931-06559	Lens, Hood, LH A-Style	52.	925-04022B	Meter, Indicator
28.	931-06634	Hood, A-Style			

# Drive System



Ref.	Part Number	Description
1.	918-04566	Transaxle Ass'y
2.	731-2290A	Cap, Hub
3.	647-04035	Lever Ass'y, Shift
4.	710-0176	Hex Screw, 5/16-18, 2.75, Gr5, Std
5.	710-0227	Screw, Ab, #8-18, 0.500,
6.	710-04484	Screw, Self-tapping, 5/16-18, .750,
7.	710-1007	Screw, Sems, 3/8-16, 1.500
8.	710-1026	Screw, Self-tapping, 1/4-20, 1.750,
9.	710-3011	Hex Screw, 3/8-16, 2.25, Gr5, Std
10.	710-3025	Hex Screw, 5/16-18, .625, Gr5, Std
11.	912-0240	Nut, Jam, 7/16-20, Gr2
12.	712-0241	Nut, Hex, 3/8-24, Gr5
13.	712-04063	Nut, Flange Lock, 5/16-18, Grf
14.	912-0431	Nut, Flange Lock, 3/8-16, Grf
15.	712-0700	Nut, Flange, 9/16-18, Gr2
16.	914-0104	Pin, Cotter, .072 Dia. x 1.13
17.	914-0111	Pin, Cotter, 3/32, 1.0
18.	914-0209	Pin, Cotter Internal, .125 Dia
19.	718-04407	Hub, Pulley, 5/8 Spline
20.	720-04028	Knob, Shift
21.	923-3018	Ball, Joint
22.	725-1644	Switch, Spring, Short
23.	926-0320	Plate, Insulator Nut
24.	731-04602	Sleeve, .758 x .821 x 3.3125
25.	731-04604	Sleeve, .758 x .821 x 2.4375
26.	731-06894	Bearing, Shift Plate
27.	732-04612	Spring, Extension, .70 Dia x 12.00
28.	732-04616	Spring, Extension, .97 OD x 6.18
29.	732-0525	Clip, Spring, Shifter
30.	732-0716D	Spring, Extension, .59 OD x 4.00
31.	936-0140	Washer, Flat, .385 x .62 x .063
32.	936-0169	Washer, Lock, 3/8, Regular Duty
33.	936-3008	Washer, Flat, .344 x .750 x .120
34.	736-0242	Washer, Bell, .340 x .872 x .060
35.	941-0600	Bearing, Ball, 17x40x12, 6203, Ds
36.	738-04091A	Screw, Shoulder, .43x.29, 5/16-18
37.	738-04420	Spacer, Shoulder, 1.375 x .380 x .183
38.	747-04957A	Rod, Footpedal Bypass
39.	747-04959A	Rod, Adjustment, Idler, 3/8
40.	747-04984	Rod, Brake
41.	747-05109	Rod, Shift,
42.	750-04456	Spacer, .260 x .372 x 1.420

Ref.	Part Number	Description
43.	954-04208	Belt, V-Type, Poly
44.	954-04267	Belt, V-Type, Poly
45.	956-04002	Pulley, V-Type, 7.25 Dia Spun
46.	756-04224	Pulley, Idler, Flat 2.75 OD
47.	756-04325	Pulley, Idler, V-Type x 3.06
48.	783-04595A	Bracket, Shift, Adjustment
49.	783-06027A	Bracket, Idler, Center Double
50.	783-06132	Bracket, Shift, F-N-R
51.	647-04152A	Control Ass'y, Brake
52.	683-0266	Ped Ass'y, Control, Auto Drive
53.	683-04489	Bracket Ass'y, Pedal
54.	710-0604A	Screw, Self-tapping, 5/16-18, 0.625,
55.	711-05068	Pin, Clevis, 5/16 x 3.985
56.	712-04065	Nut, Flange Lock, 3/8-16, Grf,
57.	714-04040	Pin, Cotter, Bow-Tie 72
58.	726-0214	Cap, Push 5/8
59.	732-04587	Spring, Extension, .63 Dia x 4.95
60.	735-04136	Pad, Pedal, Brake
61.	735-0662	Pad, Control
62.	736-0242	Washer, Bell, .340 x .872 x .060
63.	938-0380	Bolt, Shoulder, .500 x .270, 3/8-16
64.	741-0495	Bearing, Flange
65.	741-3065B	Bearing, Hex Flange, .628 ID, Split
66.	748-04203	Latch, Cruise
67.	783-05914	Bracket, Support, Pedal Strap
68.	783-05940	Bracket, Support, Pedal Strap 5/8
69.	783-06103A	Bracket, Ped, Brake
70.	783-06278	Plate, Bracket, Reinforcement
71.	683-04520	Bracket Ass'y, Transmission
72.	683-04521	Bracket Ass'y, Idler
73.	710-1260A	Screw, Self-tapping, 5/16-18, 0.750,
74.	710-3005	Hex Screw, 3/8-16, 1.25, Gr5, Std
75.	738-04162A	Spacer, Shoulder, .8840 x .190
76.	956-04015A	Pulley Ass'y, Var Spd, 4.75 OD
77.	683-04522	Kepr Ass'y, Belt
78.	683-04523	Bracket Ass'y, Variable
79.	710-0627	Hex Screw, 5/16-24, .750, Gr5, Lock
80.	710-0778	Screw, Self-tapping, 1/4-20, 1.500,
81.	718-04261	Cup, Bearing
82.	736-0362	Washer, Flat, .330 x 1.25 x .06,
83.	736-0430	Washer, Flat, .350 x 1.59 x .062

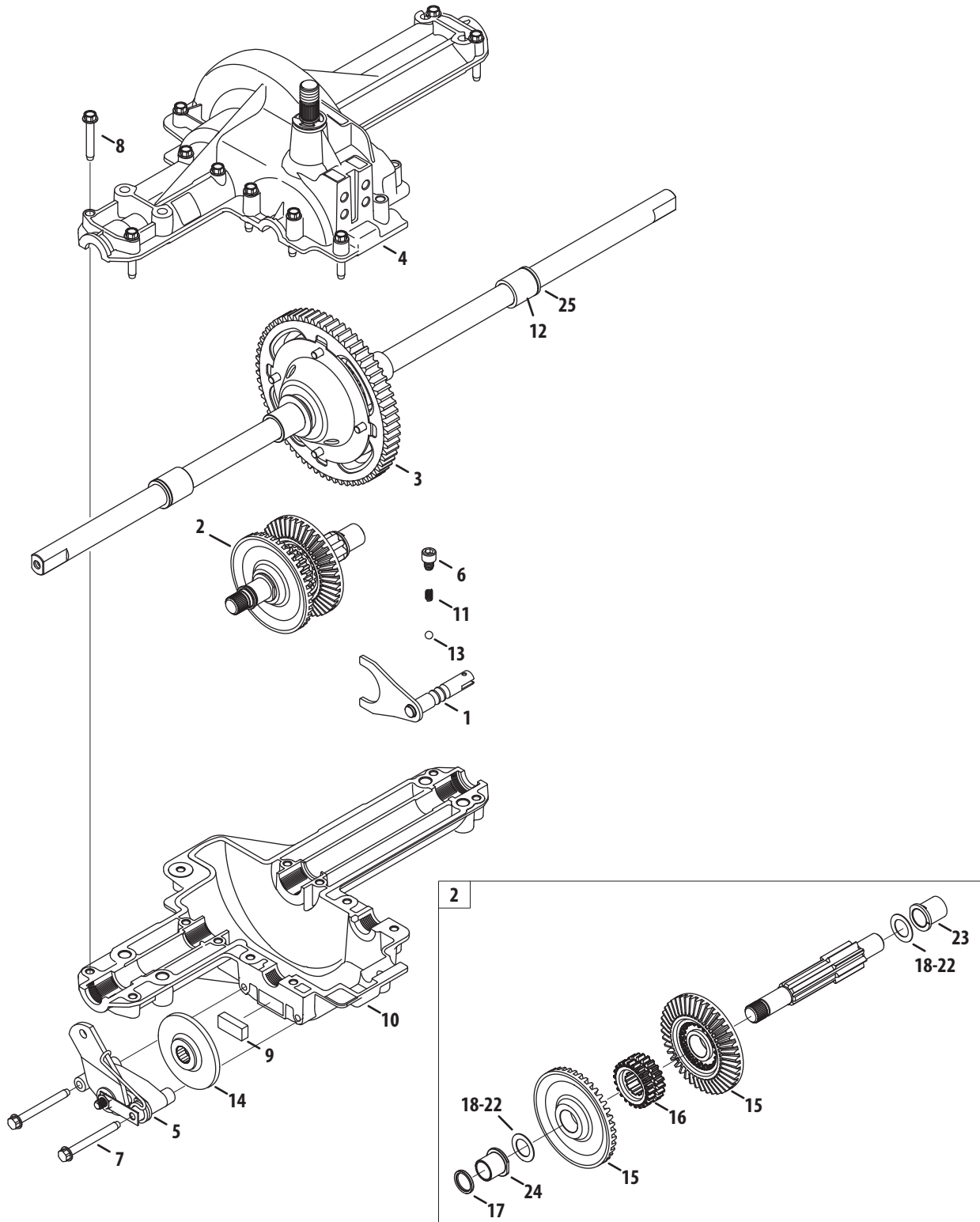


Ref.	Part Number	Description
1.	918-04889A	Spindle Ass'y, Pulley, 6.3 Dia
2.	683-0254B	Bracket Ass'y, Deck, Hanger LH
3.	983-04511	Brake Ass'y, Deck, 42/46
4.	983-04525	Brake Ass'y, Deck, 46"
5.	983-04598	Deck Ass'y, Offset, 42"
6.	710-04484	Screw, Self-tapping, 5/16-18, .750,
7.	710-0514	Hex Screw, 3/8-16, 1.00, Gr5, Std
8.	710-0528	Hex Screw, 5/16-18, 1.25, Gr5, Std
9.	710-0599	Screw, Self-tapping, 1/4-20, 0.500,
10.	710-0778	Screw, Self-tapping, 1/4-20, 1.500,
11.	710-0809	Screw, Self-tapping, 1/4-20, 1.250,
12.	710-3144	Hex Screw, 3/8-16, 2.00, Gr5, Std
13.	710-3178	Bolt, Carriage, 3/8-16, 0.75, Gr1
14.	712-0229	Nut, Push, 3/8
15.	712-04063	Nut, Flange Lock, 5/16-18, Grf,
16.	712-04065	Nut, Flange Lock, 3/8-16, Grf,
17.	712-0417A	Nut, Flange, 5/8-18
18.	712-04243	Nut, Lock, 1/2-13
19.	912-0641	Nut, Hex, M16-1.5
20.	753-04070	Pin, Lynch, .1875
21.	914-0470	Pin, Cotter, 1/8 x 1.25
22.	917-04074	Gear, Deck, Adjustment
23.	932-0384	Spring, Extension, .62 Dia x 6.12
24.	732-04652	Spring, Comp, .535 OD x 1.751
25.	732-04727	Spring, Torsion, .992 I.D x 1.17 O.D
26.	734-04155	Wheel, Deck, 5.0 Dia Ball
27.	936-0119	Washer, Lock, 5/16, Regular Duty
28.	936-0176	Washer, Flat, .265 x .938 x .120
29.	936-0179	Washer, Flat, .531 x 1.25 x .100
30.	737-04003D	Port, Water
31.	736-0225	Washer, Lock, 5/8, Int Tooth
32.	736-0262	Washer, Flat, .385 x .870 x .092
33.	736-0317	Washer, Bell, .63 x 1.25 x .18
34.	736-0362	Washer, Flat, .330 x 1.25 x .06,

Ref.	Part Number	Description
35.	921-04041	Adapter, Water Port
36.	738-04162A	Spacer, Shoulder, .8840 x .190
37.	738-04166	Spacer, Shoulder, .5000 x .1475
38.	938-3056	Bolt, Shoulder, .496 x 2.50, 3/8-16
39.	942-04312	Blade, Cut, 21.23" 2-In-1, Cub
40.	747-04530	Rod, Keepr, Belt 42 Idler
41.	747-04944B	Rod, Lift, Deck, Frt, 13.7
42.	747-05105	Rod, Control, Brake 42"
43.	931-04293	Chute Ass'y, Deflector 42" Offset
44.	747-1116	Rod, Handle, Deck Rel .375 Dia
45.	750-0258	Spacer, .315 x .750 x .375
46.	750-0566A	Spacer, .260 x .375 x 1.030
47.	954-04060B	Belt, V Type, A Sec x 96.5
48.	756-04129B	Pulley, Idler, 4.25"Dia
49.	711-04847A	Pin, Hinge, Dia .3125 x 7.96
50.	783-04740	Bracket, Cable, Deck Engage
51.	732-04372	Spring, Torsion, .44 I.D. x 2.0
52.	783-05946	Bracket, Idler, Pivot, 46
53.	783-06243	Bracket, Cable, Deck Engage
54.	783-06368	Bracket, Guard, Belt, 4.25 Pulley
55.	731-06496	Cover, Belt, Universal
56.	783-06632	Stop, LH, 42 Deck
57.	783-06643	Bracket, Support, Stationary Idler
58.	712-0417A	Nut, Flange, 5/8-18
59.	936-0351	Washer, Flat, .760 Idx1.50 OD
60.	738-1186A	Shift, Spindle, 6.11.
61.	941-0919	Bearing, Ball, .787id x 1.85 Odx.551
62.	750-04936	Spacer, .792 x 1.060 x 1.860
63.	956-1227	Pulley, Deck, 6.3 Dia
64.	783-05823	Bkrt, Chute, 42/46
65.	937-3000	Lube Fitting, 3/16
66.	734-0973	Wheel, Deck
67.	738-0373	Bolt, Shoulder, .496 x 1.525, 3/8-16



# Transmission



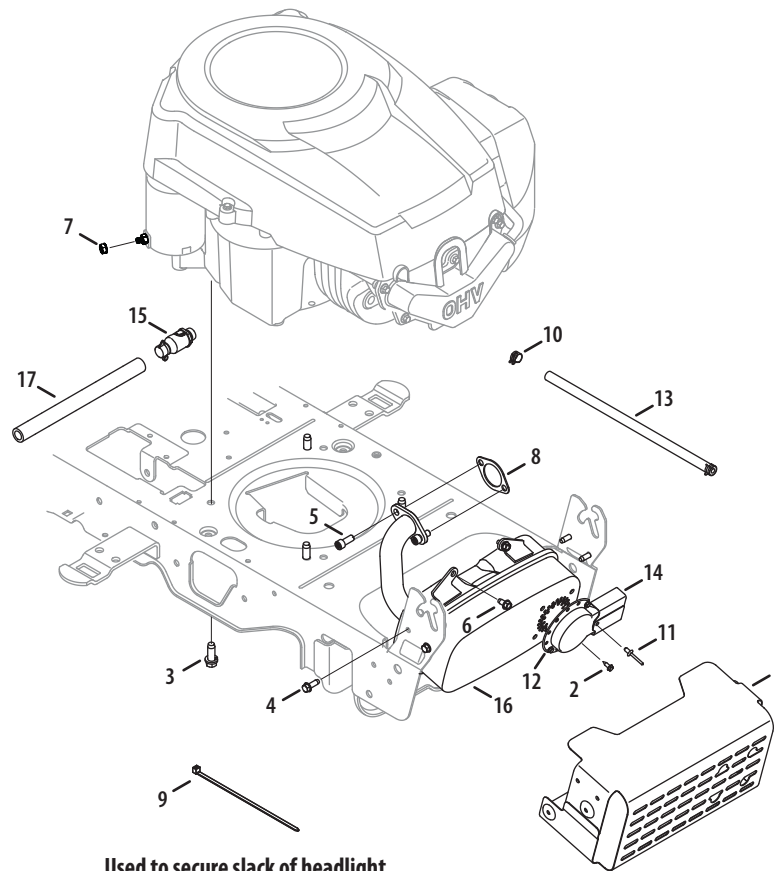


Ref.	Part Number	Description
1.	911-0011	Shaft Ass'y, Detent
2.	911-04091	Shaft Ass'y, Drive, Fwd-Rev
3.	918-04619	Differential Ass'y
4.	919-04187	Housing Ass'y, Upper
5.	961-0001	Brake Ass'y, Yoke, RH
6.	710-04731	Shcs, Self-tapping, 5/16-18, .375
7.	710-1206	Screw, Self-tapping, 1/4-20, 2.375,
8.	710-1325	Screw, Self-tapping, 1/4-20, 1.625,
9.	917-0678	Pad, Brake
10.	919-04329	Housing, Lower
11.	932-0863	Compression Spring
12.	941-0340	Bearing, Sleeve, .75 x 1.00 x .42
13.	741-0862	Ball, Detent, .250
14.	761-0202	Disc, Brake
15.	917-04479	Gear, Bevel, 42t, Spline
16.	718-04381P	Collar, Clutch
17.	721-0213	Seal, .625 x .812 x .094
18.	936-0336	Washer, Flat, 5/8x1.00x.030 Hd
19.	936-0337	Washer, Flat, .634x1.00x.04,
20.	936-0349	Washer, Flat, .63 x 1.00 x .02
21.	736-0494	Washer, Flat, .632x1.00x.035
22.	936-0495	Washer, Thrust, 1.00 x .632 x .0
23.	941-0336	Bearing, Flange, 5/8 x 3/4 x 3/4
24.	941-0337	Bearing, Flange, 5/8 x 3/4 x 15/16
25.	921-0338	Seal, .75 x 1.00 x .125
—	737-0300A	Grease, Darina, Transmission**

\* Use as required to control backlash .022 / .010

\*\* 20 oz required if rebuilding transmission

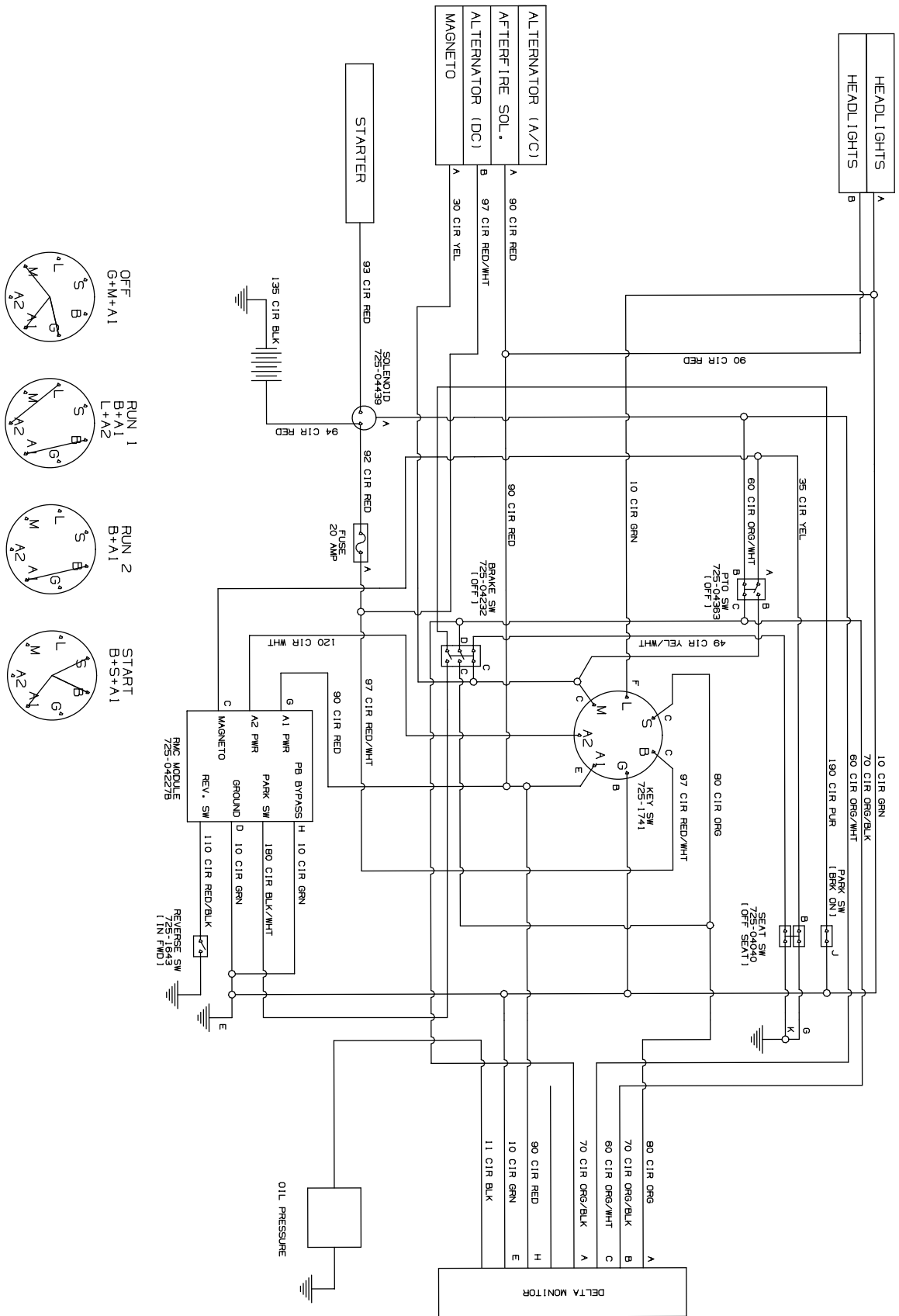
# Engine Accessories



Used to secure slack of headlight harness to hood hinge

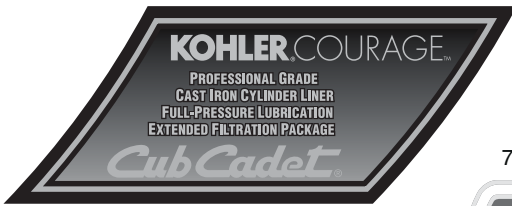
Ref.	Part Number	Description
1.	683-04549	Shield Ass'y, Muffler
2.	710-0227	Screw, Ab, #8-18, 0.500,
3.	710-04683	Screw, Self-tapping, 3/8-16, 1.000,
4.	710-0599	Screw, Self-tapping, 1/4-20, 0.500,
5.	710-1314A	Screw, Socket Head, 5/16-18, .750
6.	710-1652	Screw, Self-tapping, 1/4-20x.625,
7.	712-0271	Nut, Sems, 1/4-20
8.	KH-20-041-12-S	Gasket, Exhaust
9.	725-0157	Cable, Tie, 3/16 x .05 x 7.4
10.	726-0205	Clamp, Hose, .490 Dia.
11.	728-04000	Rivet, Pop, .188 Dia x .300
12.	751-0564B	Deflector, Muffler
13.	751-10349	Hose, Fuel, Low Permeation, 1/4
14.	751-10353	Deflector, Muffler, Long
15.	951-10517A	Drain, Oil
16.	751-11022A	Muffler, Single, Kohler
17.	751-3141-14	Hose, Extension, Oil Drain

# Electrical Schematic



# Labels

777D13207



777D12864



777D13208



777I23319



777D12928



777S33189

**⚠ DANGER**  
**ROTATING BLADES CAUSE SERIOUS INJURY OR DEATH**

- DO NOT MOW WHEN CHILDREN OR OTHERS ARE AROUND.
- NEVER CARRY CHILDREN EVEN WITH BLADE(S) OFF.
- LOOK DOWN AND BEHIND BEFORE AND WHILE BACKING.
- MOWING IN REVERSE IS NOT RECOMMENDED.

**⚠ WARNING**  
**TO AVOID SERIOUS INJURY OR DEATH**

- GO UP AND DOWN SLOPES, NOT ACROSS.
- AVOID SUDDEN TURNS.
- DO NOT OPERATE THE UNIT WHERE IT COULD SLIP OR TIP.
- IF MACHINE STOPS GOING UPHILL, STOP BLADE(S) AND BACK DOWNHILL SLOWLY.
- KEEP SAFETY DEVICES (GUARDS, SHIELDS, AND SWITCHES, ETC.) IN PLACE AND WORKING.
- REMOVE OBJECTS THAT COULD BE THROWN BY THE BLADE(S).
- KNOW LOCATION AND FUNCTION OF ALL CONTROLS.
- BE SURE BLADE(S) AND ENGINE ARE STOPPED BEFORE PLACING HANDS OR FEET NEAR BLADE(S).
- BEFORE LEAVING OPERATOR'S POSITION, DISENGAGE BLADE(S), ENGAGE PARKING BRAKE, SHUT OFF AND REMOVE KEY.

**READ OPERATOR'S MANUAL**

**⚠ WARNING**  
 Operation Of This Equipment May Create Sparks That Can Start Fires Around Dry Vegetation. A Spark Arrestor May Be Required. The Operator Should Contact Local Fire Agencies For Laws Or Regulations To Fire Prevention Requirements.

**TO START**

- DISENGAGE BLADES/PTO, (POWER TAKE OFF)
- ENGAGE THE TRACTOR'S PARKING BRAKE.
- ACTIVATE THE CHOKE CONTROL.
- TURN KEY TO START ENGINE, AFTER START RELEASE KEY & DEACTIVATE CHOKE BY PLACING THROTTLE TO FAST "RABBIT" POSITION.

**OPERATING MODES**

**NORMAL MOWING**  
 YOU MUST DISENGAGE BLADES/PTO, (POWER TAKE OFF) BEFORE TRAVELING IN REVERSE.

**REVERSE CAUTION MODE**

- TURN KEY TO REVERSE CAUTION MODE POSITION.
- DEPRESS REVERSE PUSH BUTTON, (RED INDICATOR LIGHT "ON") WHEN RED LIGHT IS "ON" MACHINE CAN BE OPERATED IN REVERSE WITH MOWER BLADES ENGAGED.
- AFTER RESUMING FORWARD OPERATION, RETURN KEY TO "NORMAL MOWING" POSITION.

NOTE: IN BOTH MODES, WHEN OPERATOR LEAVES SEAT, ENGINE WILL STOP UNLESS PARKING BRAKE IS SET AND BLADES ARE DISENGAGED.

**LOWER DASH**

**PARKING BRAKE**  
 DEPRESS BRAKE PEDAL, PUSH PARKING BRAKE LEVER DOWN AND RELEASE PEDAL TO LOCK

**CRUISE CONTROL**  
 DEPRESS SPEED CONTROL PEDAL TO DESIRED SPEED, PUSH CRUISE CONTROL LEVER DOWN AND RELEASE PEDAL, PRESS BRAKE OR SPEED CONTROL TO RELEASE

**⚠ BRAKE PEDAL**

(LOCATED ON RIGHT SIDE)  
 DIRECTION/SPEED CONTROL PEDAL

**For A List Of Optional Attachments, Please Refer To Your Operators Manual.**

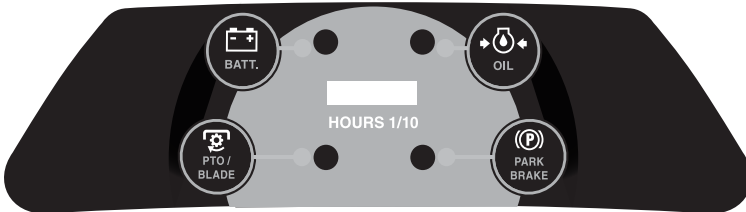
777D12929



777D14030



777I23292



777I23294



777D14124



777D14125



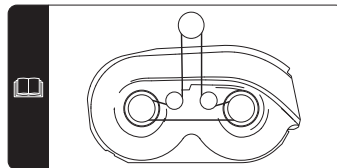
777S30018

**⚠ DANGER**  
**AVOID SERIOUS INJURY OR DEATH**

- KEEP HANDS AND FEET AWAY FROM ROTATING PARTS.
- REMOVE OBJECTS THAT CAN BE THROWN BY THE BLADE IN ANY DIRECTION. WEAR SAFETY GLASSES.
- DO NOT MOW WHEN CHILDREN OR OTHERS ARE AROUND. NEVER CARRY CHILDREN EVEN WITH BLADES OFF.
- USE EXTRA CAUTION ON SLOPES. DO NOT MOW SLOPES GREATER THAN 15°. MOW UP AND DOWN, NOT ACROSS. AVOID SUDDEN TURNS. USE LOW SPEED.

READ OPERATOR'S MANUAL. KEEP SAFETY DEVICES IN PLACE AND WORKING.

777I22481



777I22679



777I23133



777S30503

**⚠ DANGER**  
**KEEP HANDS AND FEET AWAY. DO NOT OPERATE MOWER UNLESS CHUTE DEFLECTOR OR ENTIRE GRASS CATCHER IS IN ITS PROPER PLACE.**

**ASSEMBLE CHUTE DEFLECTOR TO THIS UNIT BEFORE OPERATING.**

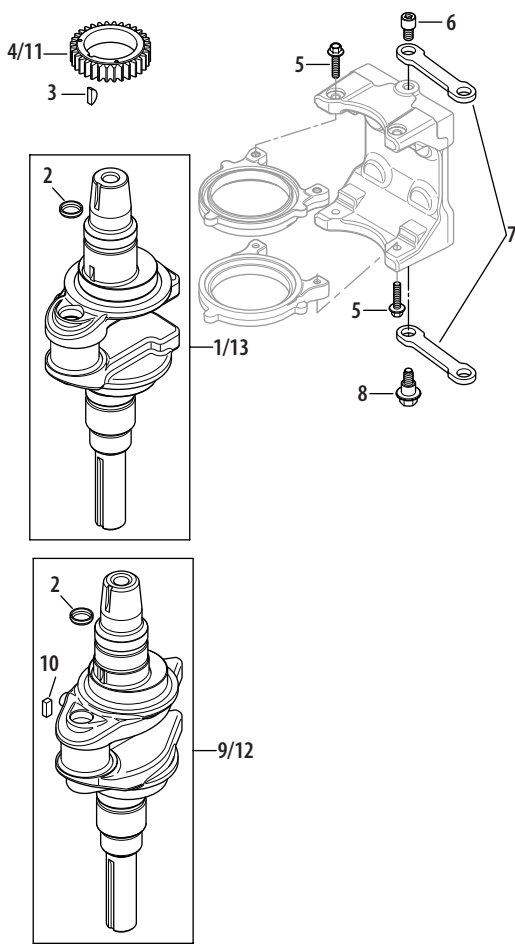
777X44159

MODEL LTX 1040 REPLACEMENT PARTS		
Use only Cub Cadet genuine factory parts		
Blades	942-04312 (2)	Ignition Key 925-2054A
Upper Drive Belt	954-04208	Solenoid 725-44439
Lower Drive Belt	954-0467	Oil Filter KH-12-050-01-S
Engine To Deck Belt	954-04060B	Air Filter W/ Pre-Cleaner KH-20-883-02-S1
Deck Spindles	918-04689	Spark Plug 759-3336
		Fuel Filter KH-25-050-21-S
		Oil Capacity 51.2 oz

[www.cubcadet.com](http://www.cubcadet.com)

777D13924



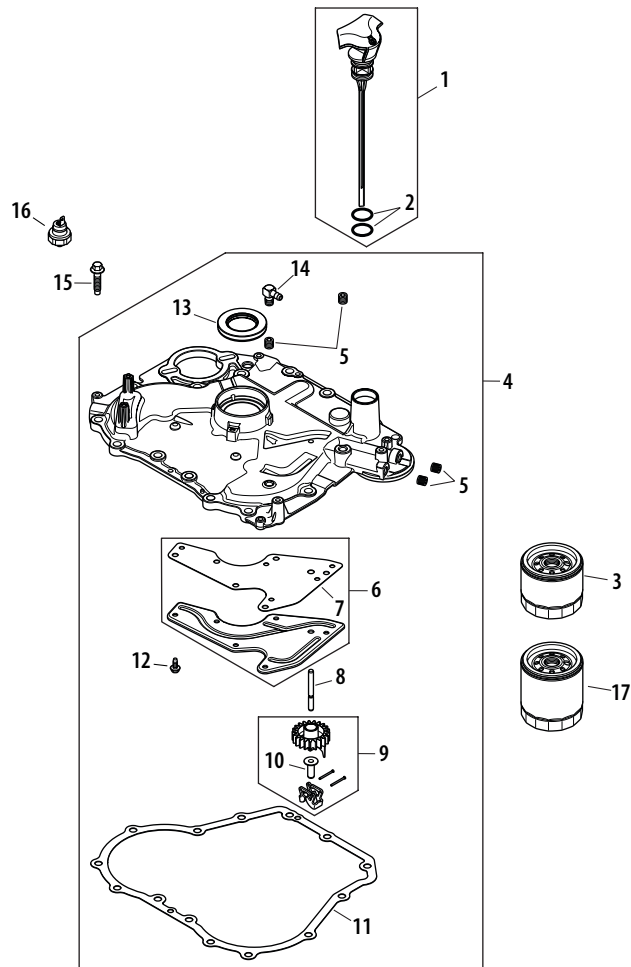


Ref.	Part Number	Description
1.	KH-20-014-38-S	Crankshaft Assembly Kit
2.	KH-25-139-27-S	Cup Plug
3.	KH-X-42-15	Key, 3/16 X 5/8
4.	KH-20-043-15-S	Crankshaft Gear
5.	KH-25-086-137-S	Flange Screw, M6 X 1.0 X 25
6.	KH-25-086-214-S	Link Pivot Screw
7.	KH-20-186-04-S	Balance Weight Linkage
8.	KH-25-086-213-S	Shoulder Screw



<b>Ref.</b>	<b>Part Number</b>	<b>Description</b>
1	N/A	Crankcase (Use: Short Block)
4	KH-20-032-01-S	Oil Seal
5	KH-20-067-05-S	Connecting Assembly Rod
6	KH-20-874-09-S	Piston w/ Ring Set, 94mm (Incl. 7, 8)
7	KH-20-108-04-S	Ring Set (94mm)
8	KH-62-018-04-S	Piston Pin Retainer
9	KH-20-090-01-S	Cam Lever Ass. Kit (Incl. 10)
10	KH-20-086-06-S	Shd. Thd. Frm. Screw, M6 X 1 X 26
12	KH-20-123-02-S	Drainback Tube
13	KH-12-154-05	Hitch Pin Clip
14	KH-M-631015	Flat Washer, 6 Mm
15	KH-X-25-102-S	Flat Washer, 1/4
16	KH-20-144-02-S	Governor Cross Shaft
17	KH-20-393-02-S	Oil Pump Ass'y Kit (Incl. 11, 18, 19)
18	KH-20-112-02-S	Oil Pump Screw Spacer
19	KH-20-086-13-S	Oil Pump Screw
20	KH-20-144-11-S	Cam Center Shaft Kit (Incl. 21)
21	KH-20-468-08-S	Thrust Washer
22	KH-20-010-04-S	Camshaft Ass'y Kit (Incl. 23-25)
23	KH-20-089-06-S	Acr. Spring
24	KH-20-044-23-S	Acr. Weight
25	KH-20-468-03-S	Thrust -Acr. Washer
26	KH-20-010-04-S	Camshaft Ass'y Kit (Incl. 27)
27	KH-20-468-03-S	Thrust -Acr. Washer
28	KH-25-139-57-S	Square Head Pipe Plug, 3/8
—	KH-20-522-05	SV590/600 Short Block

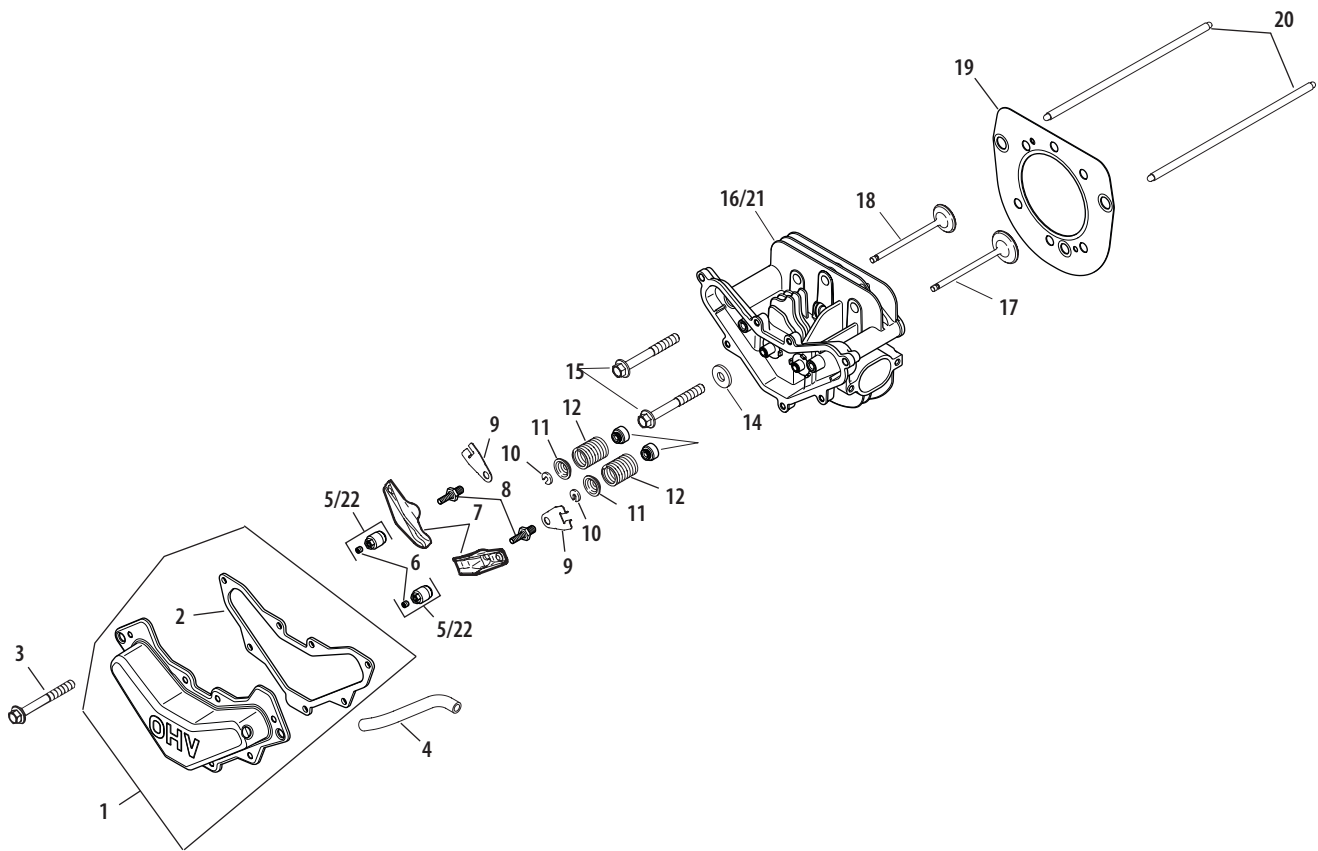
# Kohler SV590 Oil Pan/Lubrication



Ref.	Part Number	Description
1.	KH-20-040-06-S	Dipstick Ass'y-Std Yellow (Incl. 2)
2.	KH-20-153-01-S	O-Ring
3.	KH-12-050-01-S	Oil Filter
4.	KH-20-009-30-S	Closure Plate Assembly (Incl. 5-14)
5.	KH-25-139-60-S	Ctsk Pipe Plug, 1/8
6.	KH-20-096-02-S	Oil Passage Cover Kit (Incl. 7)
7.	KH-20-041-02-S	Oil Passage Gasket
8.	KH-20-144-03-S	Governor Cross Shaft
9.	KH-25-310-07-S	Governor Gear Assembly
10.	KH-12-380-01	Governor Regulating Pin
11.	KH-20-041-01-S	Closure Plate Gasket
12.	KH-M-545013-S	Flg. Thd. Frm. Screw, M5 X 0.8 X 13
13.	KH-20-032-01-S	Oil Seal
14.	KH-25-155-02	90° Hose Connector
15.	KH-25-086-127-S	Hex Flange Screw, 1/2



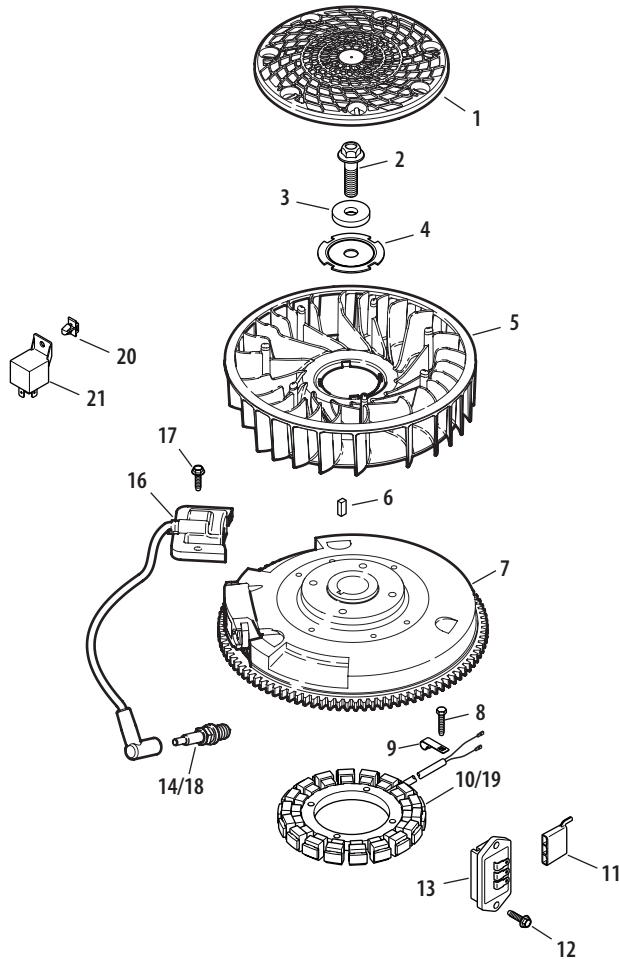
# Kohler SV590 Head/Valve/Breather



Ref.	Part Number	Description
1.	KH-20-096-07-S	Valve Cover Kit (Incl. 2)
2.	KH-20-041-13-S	Valve Cover Gasket
3.	KH-M-645020-S	Flg. Screw, M6 X 1.0 X 20
4.	KH-20-326-20-S	Breather Hose
5.	KH-20-599-04-S	Rocker Pivot Assembly (Incl. 6)
6.	KH-20-086-04-S	Set Screw
7..	KH-20-186-01-S	Rocker Arm
8	KH-20-072-08-S	Rocker Stud
9.	KH-20-146-03-S	Push Rod Guide Plate
10.	KH-20-062-01-S	Retainer Lock
11.	KH-20-173-01-S	Valve Spring Cap
12.	KH-20-089-03-S	Valve Spring
14.	KH-12-468-05	Flat Washer, 13/32
15.	KH-20-086-02-S	Flange Screw, M10 X 1.5 X 80
17.	KH-20-016-01-S	Exhaust Valve

Ref.	Part Number	Description
18.	KH-20-017-01-S	Intake Valve
19.	KH-20-841-01-S	Cylinder Head Gasket Kit (Incl. 2, 13, 14, 23, 24, 25, 26, 27, 28 & 29)
20.	KH-20-411-04-S	Rod, Push
21.	KH-20-318-11-S	Kit, Cylinder Head (Incl. 28 & 29)
22.	KH-20-599-04-S	Kit Pivot, Rocker Arm (Incl. 6)
—	KH-12-041-01	Carburetor Gasket
—	KH-12-041-02	Air Cleaner Base Gasket
—	KH-20-041-12-S	Exhaust Gasket
—	KH-20-041-18-S	Heat Deflector Gasket
—	KH-20-041-17-S	Heat Deflector Gasket
—	KH-25-086-87-S	Hex Socket Head Cap Screw
—	KH-X-21-1	Spring Lock Washer, 5/16
—	KH-20-755-05-S	Gasket Set

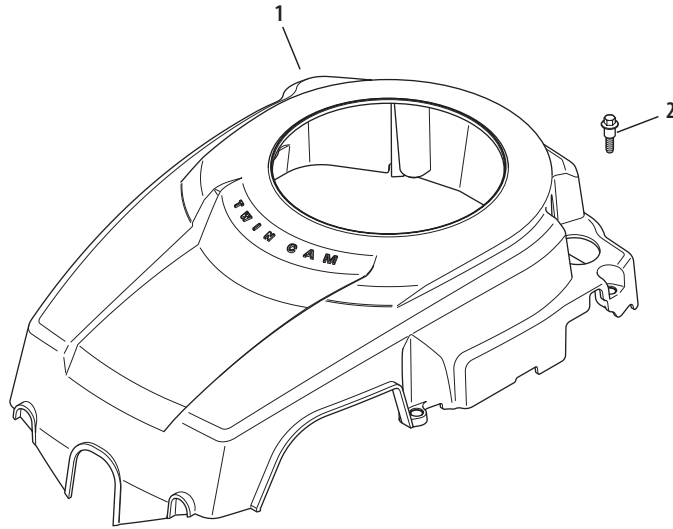
# Kohler SV590 Ignition/Electrical



Ref.	Part Number	Description
1.	KH-20-162-02-S	Grass Screen
2.	KH-25-086-125-S	Hex Flange Screw
3.	KH-25-468-09-S	Flat Washer
4.	KH-20-146-05-S	Fan Mounting Plate
5.	KH-20-157-01-S	Fan
6.	KH-25-340-02-S	Straight Flywheel Key
7.	KH-20-025-40-S	Flywheel
8.	KH-M-548025-S	Thd. Frm. Screw, M5 X 0.8 X 25
9.	KH-20-154-04-S	Wire Clip
10.	KH-237878	15 Amp Stator Kit (Inc. KH-25-452-01-S)

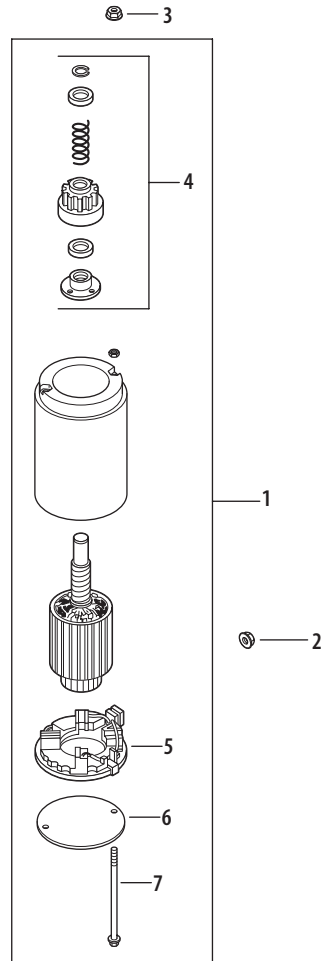
Ref.	Part Number	Description
11.	KH-25-155-41-S	Connector
12.	KH-M-545020-S	Flg. Thd. Frm. Screw, M5 X .8 X 20
13.	KH-41-403-10-S	Regulator/Rectifier
16.	KH-20-584-03-S	Ignition Module (CDI Fixed)
17.	KH-M-545020-S	Flg. Thd. Frm., M5 X .8 X 20
18.	759-3336	Spark Plug (Std)
—	KH-20-176-16-S	Wiring Harness
—	KH-25-454-05-S	Tie

# Kohler SV590 Blower Housing & Baffles

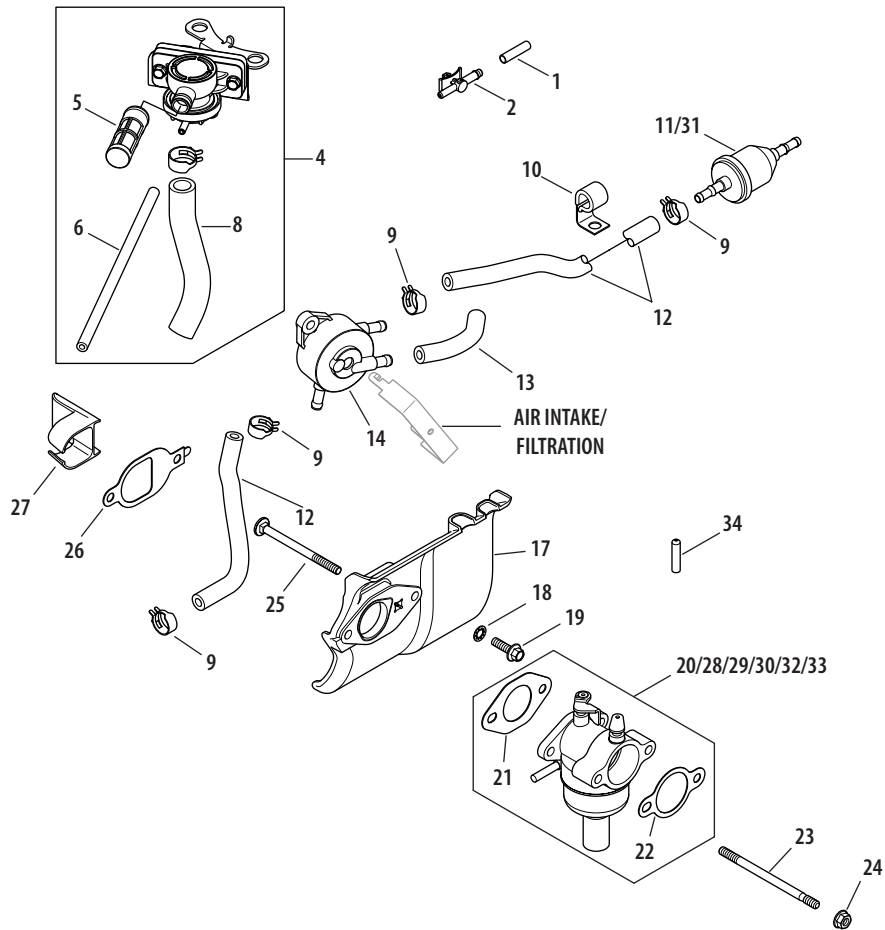


Ref.	Part Number	Description
1	KH-20-027-07-S	Blower Housing Kit (Inc. 3)
2	KH-20-086-06-S	Shd. Thd. Frm. Screw, M6 X 1 X 26
—	KH-41-037-10-S	Service Nameplate

# Kohler SV590 Starting System



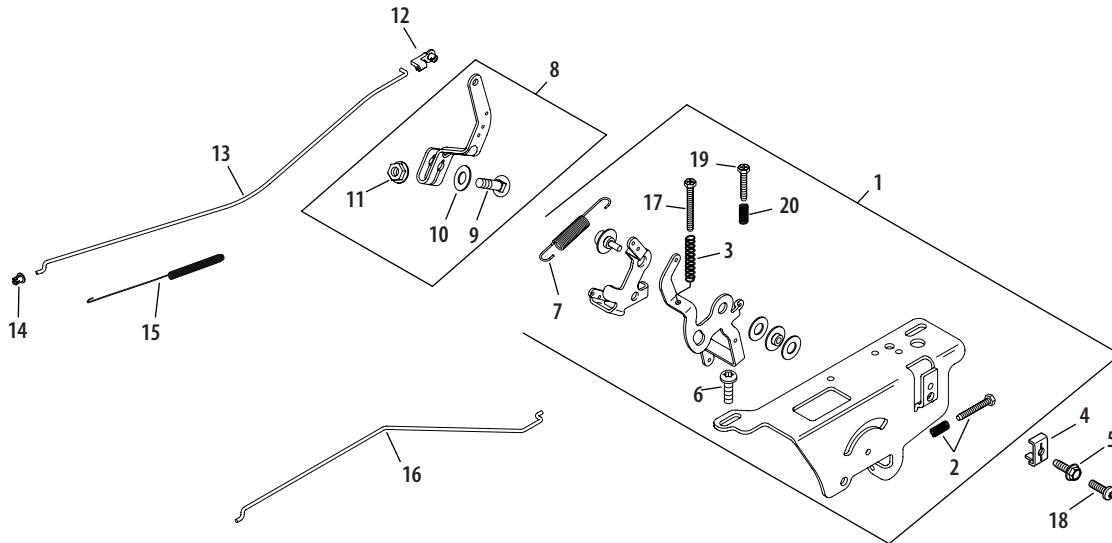
Ref.	Part Number	Description
1	KH-20-098-08-S	Starter Assembly (Inc. 4-7)
3.	KH-25-100-31-S	Free Spinning Flg. Nut, #10-24
4.	KH-20-755-12-S	Drive Kit (J.E.)
5.	KH-12-221-02-S	Brush Kit
6.	KH-20-227-01-S	Drive End Cap (J.E.)
7.	KH-20-211-02-S	Thru Bolt



Ref.	Part Number	Description
1	KH-25-173-23-S	Masking Cap
2	KH-25-155-40-S	SAI Connector
12	KH-25-111-34-S	Fuel Line
17	KH-20-265-09-S	Heat Deflector Kit
18	KH-X-22-11	Int. Tooth Lock Washer, 1/4
19	KH-M-651020-S	Flange Screw, M6 X 1.0 X 20
23	KH-20-072-05-S	Stud, M6 X 1.0 X 100
24	KH-M-641060-S	Flange Nut, M6 X 1.0
25	KH-20-072-07-S	Carburetor Stud
26	KH-20-041-18-S	Heat Deflector Gasket

Ref.	Part Number	Description
30	KH-20-853-35-S	Carburetor Kit (Inc. 21 & 22)
31	KH-25-050-21-S	Fuel Filter
—	KH-25-454-05-S	Tie
—	KH-12-755-109-S	High Altitude Kit
—	KH-12-755-110-S	Repair Choke Kit
—	KH-12-757-02	Repair Float Kit
—	KH-12-757-03	Repair Carburetor Kit
—	KH-12-757-33	Repair Solenoid Kit
—	KH-12-757-37-S	Repair Bowl Replacement Kit
—	KH-20-755-07-S	High Altitude Kit

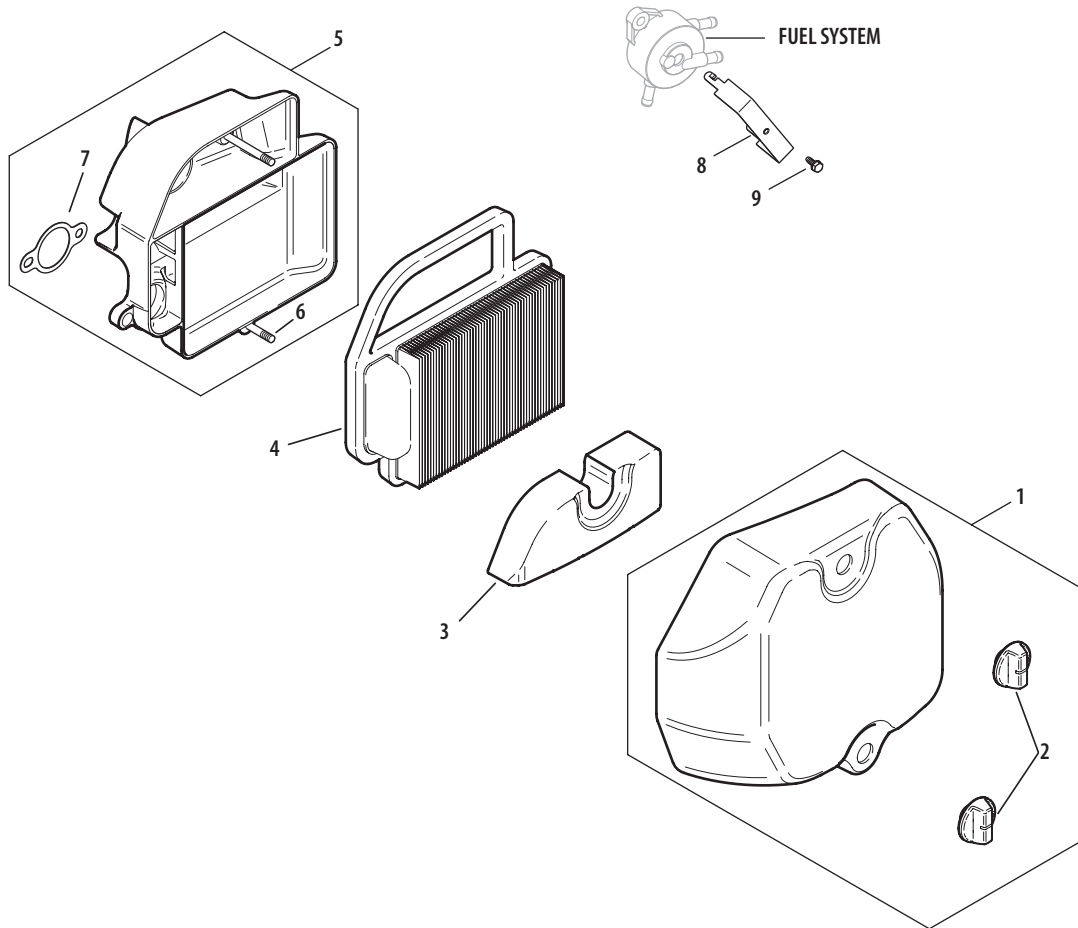
# Kohler SV590 Controls



Ref.	Part Number	Description
1	KH-20-536-06-S	Speed Control Assembly Kit (Inc. 2, 3, 6, 7, 17, 19, 20)
2	KH-25-086-297-S	Idle Adj. Screw & Spring Kit
4	KH-12-237-01	Cable Clamp
5	KH-M-545016-S	Flg. Thd. Frm. Screw, M5 X 0.8 X 16
6	KH-M-664020-S	Lbd. Skt. Screw, M6 X 1.0 X 20
7	KH-20-089-11-S	Governor Spring
8	KH-20-090-11-S	Governor Ass'y Lever (Inc. 9-11)
9	KH-52-211-04	Rd. Hd. Sq. Nck. Bolt, 1/4-20 X 1

Ref.	Part Number	Description
10	KH-X-22-11	Int. Tooth Lock Washer, 1/4
11	KH-12-100-07	Hex Flg Nut, 1/4-20
12	KH-25-158-11	Throttle Linkage Bushing
13	KH-20-079-07-S	Throttle Linkage
14	KH-25-158-08	Linkage Retaining Bushing
15	KH-20-089-10-S	Linkage Spring
16	KH-20-079-05-S	Choke Linkage
19	KH-20-086-10-S	Phl. Thd. Frm. Screw, M4 X 0.7 X 25
20	KH-12-089-11	Speed Control Spring (Short)

# Kohler SV590 Air Intake/Filtration



Ref.	Part Number	Description
1.	KH-20-096-04-S	Air Cleaner Cover Kit (Inc. 2)
2.	KH-25-341-04-S	Cover Cover
3.	KH-20-883-03-S1	Pre-Cleaner Element (Dry)
4.	KH-20-883-02-S1	Air Cleaner Element
5.	KH-20-094-04-S	Air Cleaner Base Kit (Inc. 6, 7)
6.	KH-20-072-04-S	Air Cleaner Base Stud
7.	KH-12-041-02	Air Cleaner Base Gasket



To order replacement parts, call a Customer Support Representative at (800) 965-4CUB.  
Locate your nearest Cub Cadet dealer at (877) 282-8684  
or visit [www.cubcadet.com](http://www.cubcadet.com) to find the nearest Cub Cadet dealer in your area.

---

**CUB CADET LLC, P.O. BOX 361131 CLEVELAND, OHIO 44136-0019**

---